



FREY


Maschinenbau



F-Line F40, F52, F60

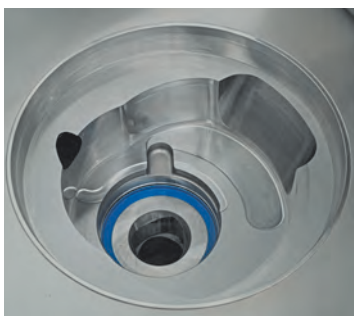
Professional use thanks to an innovative filling technology

F-LINE F40, F52 and F60 are the entry-level models in the vacuum world of FREY. They are vacuum stuffers for small craftsman production plants and butchery chains. Only few place is required for F-LINE F40 due to the compact dimensions. F40, F52 and F60 master every kind of filling such as straight-filling, portioning and linking. The large dimensions of the chambers care for your product and ensure best production results.



F-Line F40 / F52 / F60 **Compact and powerful**

Rotor system- vane cell pump



Rotor system

F-LINE F40, F52 and F60 work with a well designed rotor system made of stainless steel. No wearing out problems due to a well-thought construction and a most favourable material combination. The vacuum pump is sucking off resting air bubbles (gaps) from the product. You get a perfect sausage aspect - the subsequent natural reddening is improved.

Linking gear

F-LINE F40, F52 and F60 are equipped with a linking gear without limits for your production. It has especially been developed for the crafts and has just proved itself. For filling big diameters, you can easily swivel away or take off the linking gear by means of a quick-closing. Thereby, the way of the sausage meat is shortened and the greasing is minimized.



Increase the use of your F-Line

FREY
Maschinenbau

Casing holder device

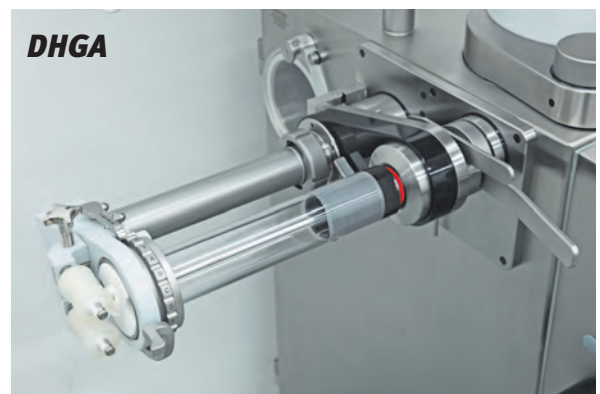
A casing holder device DHGN for natural casings, which is easy in handling is available as an accessory for FREY vacuum stuffers. The casing holder device makes the filling process faster and easier. The casing holder DHGN2 was especially designed for natural casings. Using our casing holder devices you always get tight and solid sausages at maximum filling speed. Extra skilled staff is not required. The casing holder device is easy to attach and can be taken off together with the linking gear. The casing tension is infinitely adjustable.

DHGA

Compared with the DHGN2 the DHGA is additionally equipped with a ceramic bearing with support for the casing holder tube (DHR) and the roller kit (ROKI). The casing holder device can also be used for collagen and cellulose casings. The DHGA ensures a continuous feeding of the casing during the linking process. The DHGN2 and DHGA are maintenance-free as no drive is required.

Casing spooler

We offer pneumatic casing spoolers (DA-2012/DA-2013) for natural casings. They help shortening down-time periods and thereby increase the productivity of the filling station. In order to come up to your product diversity, you can order special filling tubes.



Additional appliances

F-Line can flexibly be used, e.g. our Burger Head, PM40 or the Kebapmaker can be connected.

In connection with the DMFB92 CAN the performance of the burger production can enormously be increased.



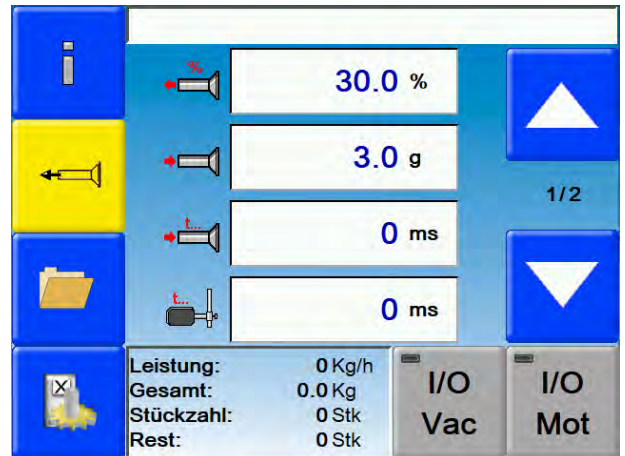


Control TC101 - F40

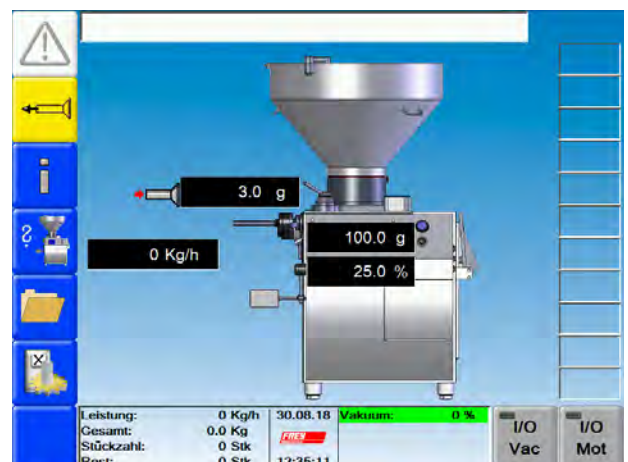
Control TC266 - F52, F60

Functional characteristics TC266 / TC101

- Speed control
- Weight input can be chosen between 0,5 and 99.999 g (in 0,1 g - steps)
- Preselection of pauses for portioning & linking
- Number of links from 0 - 9,9 turns
- Clip time is adjustable
- Normal- and continuous operation
- Recipe management upto 200 recipes maximum
- Twist delay / twist advance of the linker
- 1st portion makeweight
- Return-flow / sucking back mechanism
- Counter of quantity and pieces
- Preselection of pieces with automatic stop
- More than 25 languages selectable
- Digital vacuum regulation (F52, F60), a value for vacuum and various other data, e.g. for boiled sausages, are saved under the recipe.
- Optionally available is an electronic control valve for the stop of the machine and an automatic cleaning of the vacuum pump.
- Service- and maintenance programs
- Diagnosis programs, e.g. error history
- Data logger, visual signal tracking and service history
- Recipe management with automatic data backup
- Software update & parameter update per USB stick
- Interfaces: USB, Ethernet 10/100 Mbps
- Online VNC-connection with your office PC via TCP/IP network connectivity



F40: TC101 - 7" Touch display
800x480 Pixel



F52, F60: TC266 -8,4" Touch display
800x600 Pixel

OEM-device-interface for attachment control

F40: Plug for external devices with standard signals for e.g. clippers and various other attachments (optional).

F52, F60: Plug for external devices with standard signals for e.g. clippers and various other attachments.
Canbus socket for the communication with FREY C-line components such as DMFB92, CLPS 320, PMFB...(optional).



Powerful, practical and conforming to CE- standard

Filling hopper

The F-LINE F40 is equipped with a 40 liters filling hopper. The low filling height allows a power-saving charging. A gripping into the hopper is prevented by an electronically locked protection-grid. Optionally a divisible hopper with 90 liters is available. F-LINE F52 and F60 are equipped by standard with the divisible 90 liters hopper. The filling and intermediate cleaning is thereby facilitated. Thanks to the detachable accessories holder every accessory is always within reach.

Drive concepts

You can rarely hear the **FREY TOP DRIVE** of F-LINE F40 and F52. This modern drive system ensures high portioning exactness of F-LINE F40 and F52 and is optimal in cost. F-LINE F60 has a **FREY SERVO DRIVE** with positioning control and offers in this class highest portioning exactness, dynamic and performance.

All our electronic drives have been optimised in consumption and work extremely energy-efficient and quiet.



Cleaning and hygiene

A simple cleaning is the basic requirement for best hygienic conditions in the production. Therefore our FREY-stuffers are constructed with smooth surfaces.

The machine housing is completely made of high-quality stainless steel. The expenditure for cleaning and maintenance is very low due to the easy disassembling of only 5 parts of the rotor system and clean and smooth contours between the parts.



F-Line F40 / F52 / F60



Optimization of F52 & F60: Liftmax

The FREY Liftmax is the ideal charging device for your vacuum filler. Without effort the attachable lift is raising the 120 liters standard trolley and is automatically dumping the product into the hopper.

The connection to the vacuum filler ensures the stability with minimum space requirement. Liftmax is operated with the lift buttons on the housing door of the filling machine. Liftmax is only available mounted ex works for our models F-Line F52 and F60.

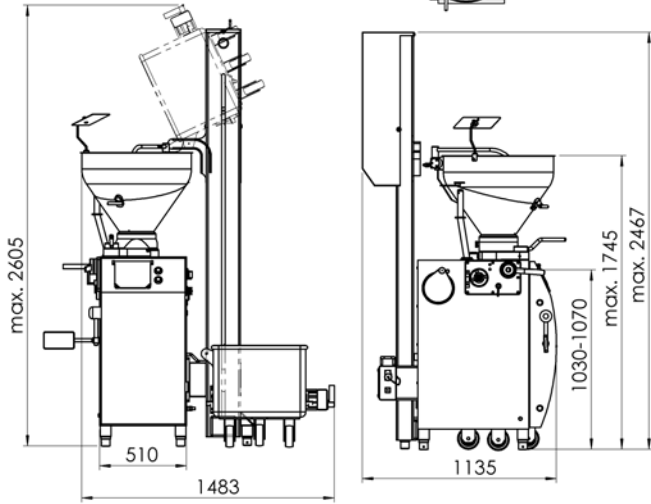
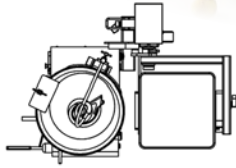


Dimensions

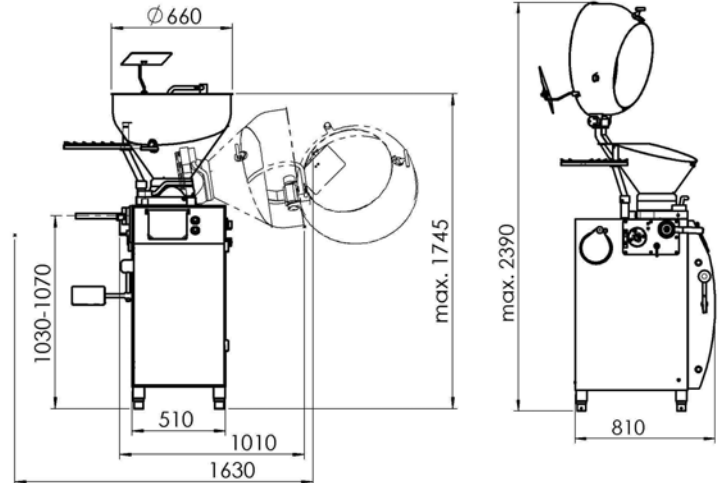
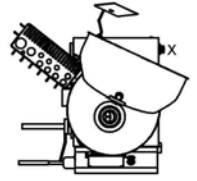


FREY
Maschinenbau

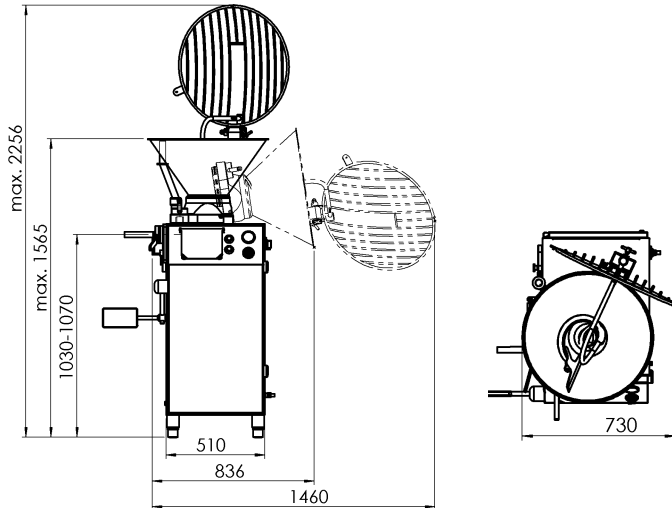
F52 / F60 with Liftmax



F40 / F52 / F60 - 90l



F40 - 40l



Mobile undercarriage

Optionally a mobile undercarriage is available for F Line. This undercarriage helps to transport the vacuum stuffers F40/ F52/F60 directly to the next processing step.



Services

nowadays are more and more gaining in importance. The reliability of our demonstrators and technicians stands for the high quality of FREY products. Our stuffers are well-thought out even in the smallest details. They are well-known for their long service life. Our trained staff gives you also advice by phone, fax or email in order to be able to help you immediately.





Technical data

F-Line	F40	F52	F60
Capacity of the filling hopper	40 liters	25/90 liters	25/90 liters
Max. performance	1.900 kg/h	2.500 kg/h	2.900 kg/h
Filling pressure up to	30 bar	40 bar	40 bar
Capacity of the chambers	82 g	82 g	82 g
Filling chambers	8	8	8
Portioning range	0,1-99.999 g	0,1-99.999 g	0,1-99.999 g
Type of drive	Top Drive	Top Drive	Servo
Connected load	F40P 3,25 kW F40A 3,90 kW	F52P 4,60 kW F52A 5,30 kW	F60P 4,10 kW F60A 4,80 kW
Voltage/tension	3Ph./PE, 400V, 50/60Hz	3Ph./PE, 400V, 50/60Hz	3Ph./PE, 400V, 50/60Hz
Control type	TC 101	TC 266	TC 266
TCP/IP interface	VNC	VNC	VNC
Sucking power of vacuum pump	16 m/h	16 m/h	16 m/h
Machine weight (net)	380 Kg	430 Kg	430 Kg
Portioning speed max.	300 port/min.	450 port/min.	530 port/min.

Accessories:

Rotor extractor, outlet cleaner, grease gun, operating instructions, accessories holder (F52 & F60)

Filling tubes F40:

Linking tubes FL. 35: 14, 20 mm, for straightfilling FL. 73: 14, 20, 30 mm

Filling tubes F52 & F60:

Linking tubes FL. 35: 14, 20 mm, for straightfilling FL. 73: 12, 24, 30 42 mm

Options:

Special filling tubes, mobile undercarriage, accessories trolley, special voltage on request (increase in weight up to max. 80 kg), electronic control valve for vacuum (F52, F60), Liftmax can be attached to F52 and F60, F40 is available with divisible 25/90 liters hopper and a clipper socket.



Heinrich Frey Maschinenbau GmbH

Fischerstr. 20

DE-89542 Herbrechtingen

Germany

Phone: +49 7324 172 0

Fax: +49 7324 172 44

www.frey-online.com

info@frey-online.com

Technical modifications are subject to change