

# TRC Series for fully automatic banding

*The Bandall TRC Series is a fully automatic banding and bundling installation where the products are transported into and out of the banding arch changing the direction at a 90 degree angle.*

## Accurate Servo driven technique

The product is transported by the internal conveyor to a fixed position. From this position a Servo driven pusher places the product in the banding arch. This is done at a 90 degree angle. Products such as labels, stacks of printed matter or paper, are immediately tidily squared.



A Servo infeed pusher places the product in the banding arch

The 90 degree angle in the TRC Series offers benefits in positioning



The infeed direction and type of product determine the choice for the Bandall TRC model

## Immediate benefits

- › A Servo driven pusher places the products precisely and at a **determinable speed** into the banding arch
- › The 90 degree angle also improves **stack neatness**
- › **Integration and communication** with other systems in line
- › **100% Dutch design**, engineering and manufacture
- › All models include the **patented band transport system** that is unique to Bandall equipment
- › **User friendly** and extremely reliable
- › **Fast bundling and banding process** (18 to 25 bands per minute)



# Easily integrated into existing fully automatic production lines



The right-angle enables re-orientation of the product from the infeed conveyor



A Stainless Steel conveyor is available in various lengths

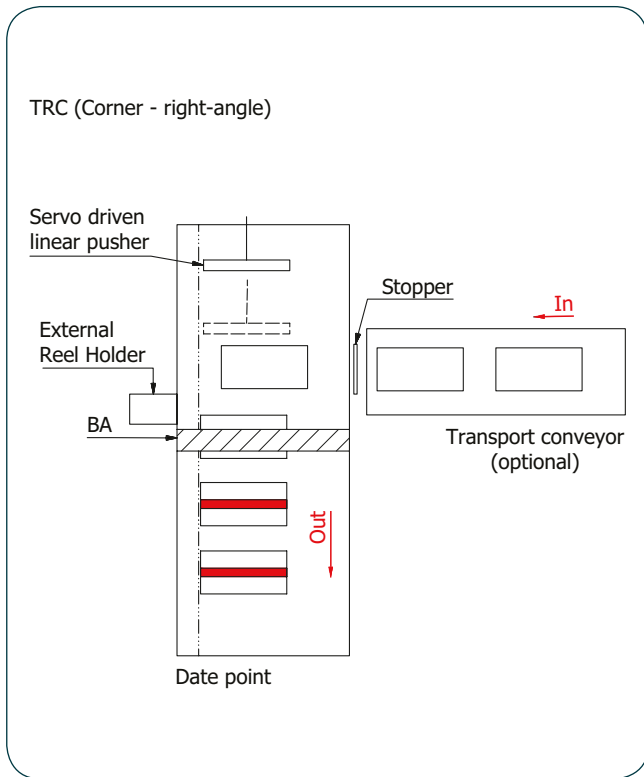
Easy to equip with printers for simultaneous printing of information onto the band

## The Bandall TRC Series consists of the following

- › Bandall banding unit
- › External Reel Holder
- › Signal exchange and signal lamp
- › Free-rolling roller outfeed conveyor
- › Servo motor meaning easy to programme
- › Almost empty roll sensor
- › Perspex protection cover
- › Adjustable feet are the standard option
- › Driven infeed conveyor
- › Pneumatic stopper
- › IP 65 control cupboard
- › Multi-banding capability



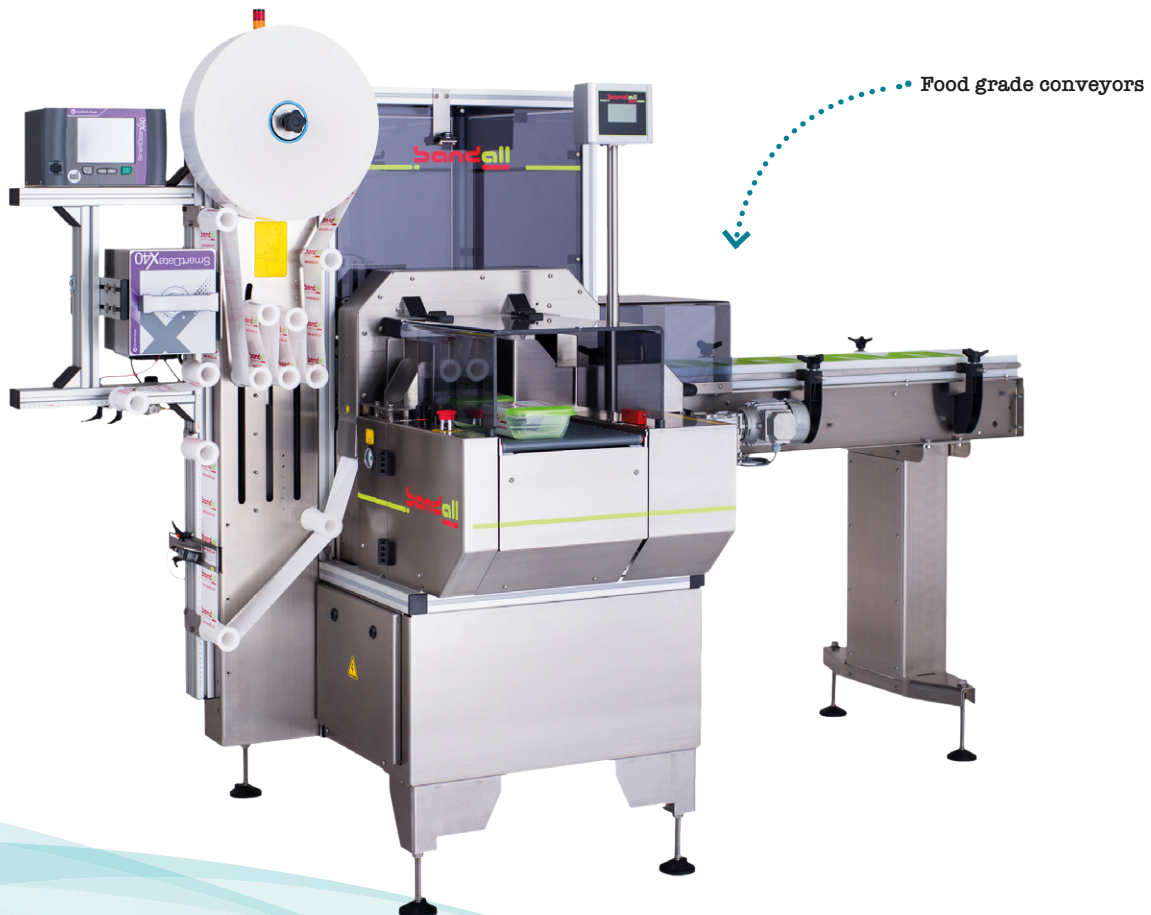
Optional automatic measuring of product length enables randomly presented variable lengthed products to be banded without delay



*The choice of a TRC model is always entirely dependent upon the product to be banded, the orientation of the infeed and any additional requirements.*

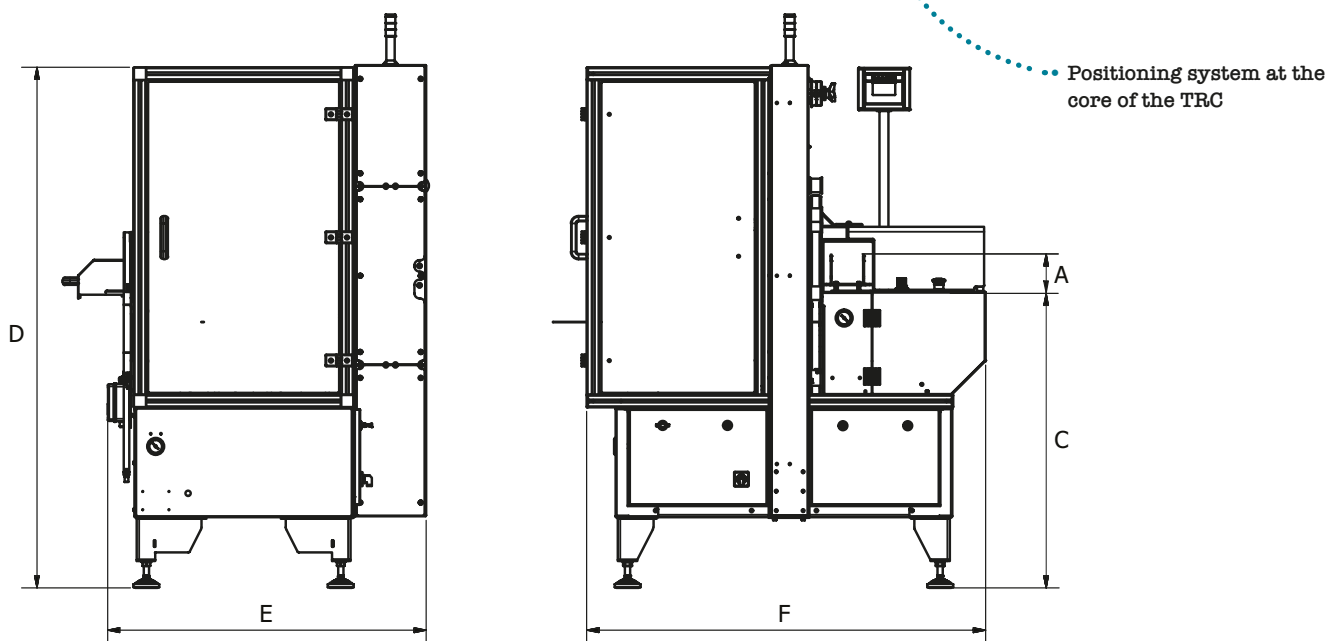
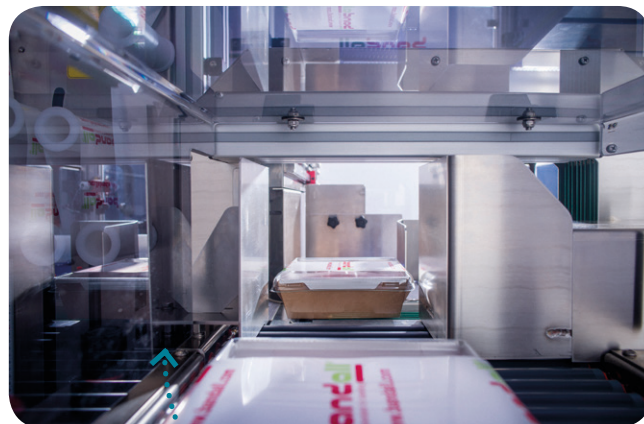
## Options

- › Stainless Steel (including SS bearings)
- › Positioning system
- › Various infeed and outfeed conveyors such as for example a 600 mm driven roller conveyor, or food grade conveyors
- › Easily equipped with printers to enable printing of variable product information, bar codes, serial numbers, while banding
- › Press
- › Band in arch sensor
- › Mobile frame (including adjustable feet)
- › Optional automatic measuring of product length enables randomly presented variable lengthed products to be banded without delay



# Suitable for use in many industries including:

- › Food
- › Graphics
- › Health & Beauty
- › Logistics and Transport
- › Pharmaceutical



MACHINE TYPE	A maximum product height	B maximum product width	C* standard working height	D* total standard height	E Total standard width	F total length	** bundles/min.
TRC 320	150	310	900	1607	900	1227	25
TRC 480	250	470	900	1607	1100	1551	25

All measurements are in millimeters.  
 Upon request we will be pleased to offer you our suggestions with technical specifications tailored to your requirements. Available in a wide range of arch sizes.  
 The standard band channel widths process banding materials of 28, 40, 48, 60, 75, 100 and 125 mm wide.  
 \*The standard height can be adjustable by -18 and +40 mm. Different heights are optional.  
 \*\* Dependent upon the product.

EE/OE

